

## Technical specifications sheet

Part number **290043351120C**

Description **DPVCF 4/12 B~Flanged NW25~2,2kW 230/400V~50Hz 2P~IEC 90L~IE2~Fixed SiC Ca EPDM**

Vertical centrifugal pump, suction and discharge connections in-line.

### Quotation details

Quotation number

Project

Position

### Search criteria

Medium to be pumped

Flow 4,00 m3/h

Pressure 85,7 mwc

### Actual duty point

Flow 4 m3/h

Pressure 85,7 mwc

NPSH 1,2 m

Efficiency 60,7 %

Motor power 1,54 kW

Frequency 50,0Hz

### Hydraulic efficiency

Minimum efficiency index according: MEI  $\geq$  0.70

Commission Regulation (EU) No 547/2012

### Connection base

Connection type Flanged

DIN connection standard EN 1092-2

ASME connection standard

JIS connection standard

DIN connection size NW25

ASME connection size

JIS connection size

DIN connection pressure class PN25/40

ASME connection pressure class

JIS connection pressure class

Material S/D casing Cast Iron JS1030

Material flanges Cast Iron JS1030

Material baseplate Cast Iron JS1030

### Basic hydraulic data

Maximum working pressure PN40+120°C

Maximum liquid temperature 140°C+PN16

Minimum liquid temperature -20°C

Material hydraulic AISI304

### Seal data

Shaft diameter  $\varnothing$  12mm

Seal diameter  $\varnothing$  12mm

Construction shaft seal Fixed

Seal code 23

Shaft seal type RMG12-G606

Material mechanical seal Q1 B E GG

Material shaft seal rotor SiC

Material shaft seal stator Ca

Material shaft seal elastomer EPDM

Material pump elastomer EPDM

Material seal cover

Pressure class shaft seal PN25

Temperature range shaft seal -20/+100°C

### Plug

Air relieve construction Vent. plug

Material plug AISI304

### For details contact

DP Pumps  
PO Box 28  
2400AA Alphen a/d Rijn  
The Netherlands

NL



# Hydraulic performance sheet

Part number **290043351120C**

Description **DPVCF 4/12 B~Flanged NW25~2,2kW 230/400V~50Hz 2P~IEC 90L~IE2~Fixed SiC Ca EPDM**

Vertical centrifugal pump, suction and discharge connections in-line.

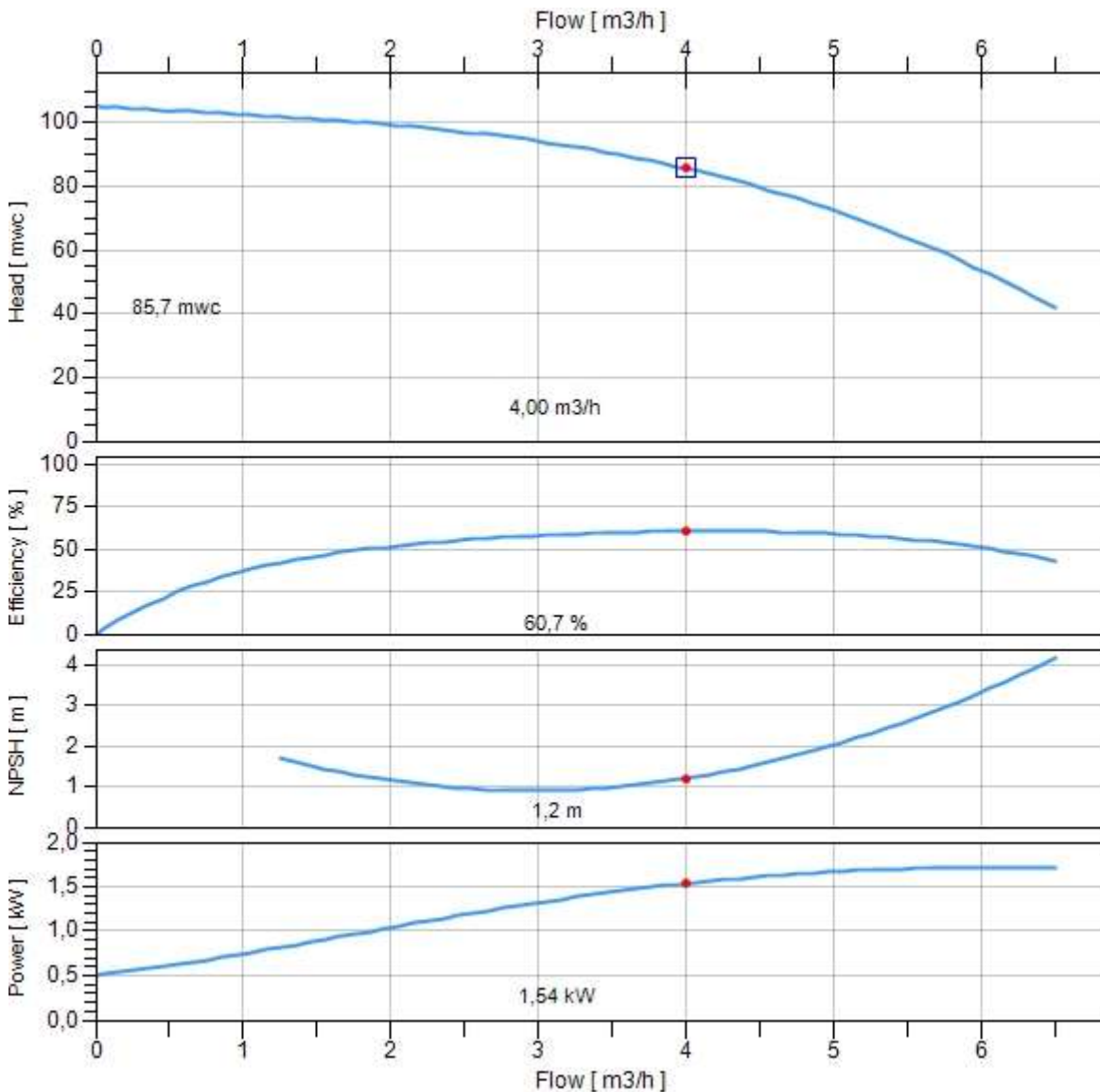
**Search criteria**

Medium to be pumped

Flow 4,00 m3/h  
 Pressure 85,7 mwc

**Actual duty point**

Flow 4,00 m3/h  
 Pressure 85,7 mwc  
 Efficiency 60,7 %  
 NPSH 1,2 m  
 Power 1,54 kW  
 Frequency 50,0Hz



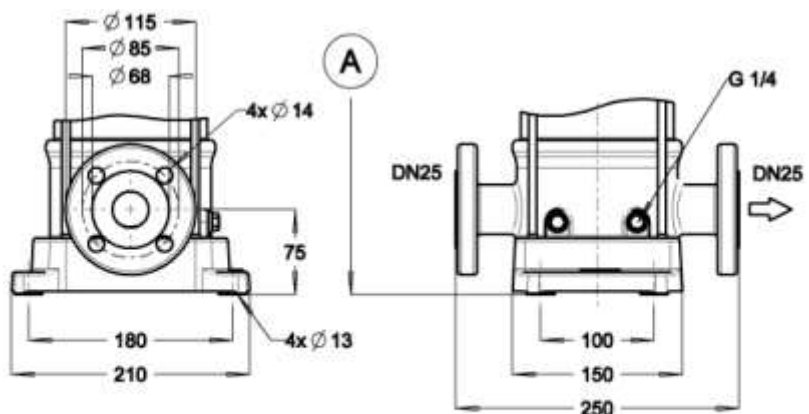
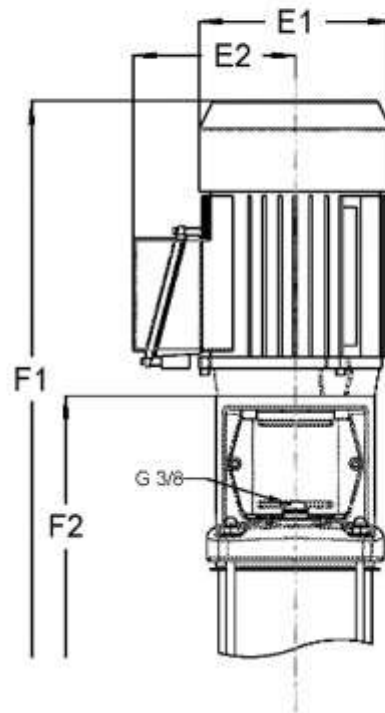
Duty point  
 ● Actual  
 □ Required

Dimensions sheet

Part number **290043351120C**

Description **DPVCF 4/12 B~Flanged NW25~2,2kW 230/400V~50Hz 2P~IEC 90L~IE2~Fixed SiC Ca EPDM**

Vertical centrifugal pump, suction and discharge connections in-line.



Motor width (E1)	176mm
Motor width (E2)	141mm
Total height (F1)	800mm
Total height (F2)	519mm
Total net weight	40kg

## Motor specifications

Part number **3710011022**

Description **Motor DMC 2,2kW 230/400V 2P IE2 90L IP55 No Pos. 800**

### Electric Data

Rated power output	2,2kW
Maximum power output	3,0kW
Rated voltage	230/400V
Phases	3ph
Frequency	50/60Hz
Voltage range	207-253/360-440V
Motor poles	2P
ATEX class	
Duty class	S1
Insulation class	F (rise-B)
Moment of inertia	0,0016kgm <sup>2</sup>
Motor standard	IEC
Capacitor	
Motor efficiency	83,5/83,3%
Motor efficiency class	IE2

### 50Hz

Tolerance rated voltage	±10%
Rated speed	2870rpm
Starting current factor (Ia/In)	7.3
Rated current (In)	8,2/4,7A
Maximum current (Imax)	10,4/6,0A
Rated Cos phi	0.81
Sound pressure	56dB(A)
Rated nominal torque	7,5Nm
Rated starting torque	27,0Nm

### 60Hz

Tolerance rated voltage	+20%,-10%
Rated speed	3420rpm
Starting current factor (Ia/In)	6.6
Rated current (In)	7,5/4,3A
Maximum current (Imax)	10,4/6,0A
Rated Cos phi	0.89
Sound pressure	59dB(A)
Rated nominal torque	6,1Nm
Rated starting torque	18,4Nm

### Motor protection

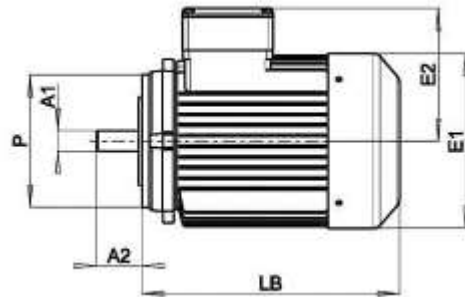
Motor protection class	IP55
Temperature sensor	No
Rain cover	
Anti condensation heater	

### Mechanical data

Shaft execution	smooth shaft
Maximum starts per hour	30
Cable gland	1xM20x1,5
VFD allowance	VFD allowed

### Dimensions

Diameter shaft A1	24mm
Length shaft A2	50mm
Diameter motor E1	176mm
Terminal box height E2	141mm
Diameter flange P	140mm
L. motor (without shaft) LB	281mm
Frame size	90L
Motor construction type	IM V18
Motor face	IEC 60034-7 Form FT 115



### Bearings / lubrication

Grease nipple	
Bearing fixation pos	D-end
D-end bearing type	6305-2Z-C3
Bearing grease	Lithium based -20°/+160

### Details

Motor label	DMC
Weight	19,8kg
Lifting lugs	No
Motor finish	RAL5002
Rated max. amb. temp.	40°C
Material housing	Aluminium