

Technical specifications sheet

Part number **290153351100V**

Description **DPVCF 15/10 B~Flanged NW50~11kW 400/690V~50Hz 2P~IEC 160M~IE3~Fixed SiC Ca EPDM**

Vertical centrifugal pump, suction and discharge connections in-line.

Quotation details

Quotation number

Project

Position

Search criteria

Medium to be pumped
 Flow 18,00 m3/h
 Pressure 111,0 mwc

Hydraulic efficiency

Minimum efficiency index according: MEI ≥ 0.40
 Commission Regulation (EU) No 547/2012

Actual duty point

Flow 18 m3/h
 Pressure 111 mwc
 NPSH 1,8 m
 Efficiency 69,3 %
 Motor power 7,85 kW
 Frequency 50,0Hz

Connection base

Connection type Flanged
 DIN connection standard EN 1092-2
 ASME connection standard
 JIS connection standard
 DIN connection size NW50
 ASME connection size
 JIS connection size
 DIN connection pressure class PN25/40
 ASME connection pressure class
 JIS connection pressure class
 Material S/D casing Cast Iron JS1030
 Material flanges Cast Iron JS1030
 Material baseplate Cast Iron JS1030

Seal data

Shaft diameter ø 16mm
 Seal diameter ø 16mm
 Construction shaft seal Fixed
 Seal code 23
 Shaft seal type RMG12-G606
 Material mechanical seal Q1 B E GG
 Material shaft seal rotor SiC
 Material shaft seal stator Ca
 Material shaft seal elastomer EPDM
 Material pump elastomer EPDM
 Material seal cover
 Pressure class shaft seal PN25
 Temperature range shaft seal -20/+100°C

Basic hydraulic data

Maximum working pressure PN40+120°C
 Maximum liquid temperature 140°C+PN25
 Minimum liquid temperature -20°C
 Material hydraulic AISI304

Plug

Air relieve construction Vent. plug
 Material plug AISI304

For details contact

DP Pumps
 PO Box 28
 2400AA Alphen a/d Rijn
 The Netherlands

NL



Hydraulic performance sheet

Part number **290153351100V**

Description **DPVCF 15/10 B~Flanged NW50~11kW 400/690V~50Hz 2P~IEC 160M~IE3~Fixed SiC Ca EPDM**

Vertical centrifugal pump, suction and discharge connections in-line.

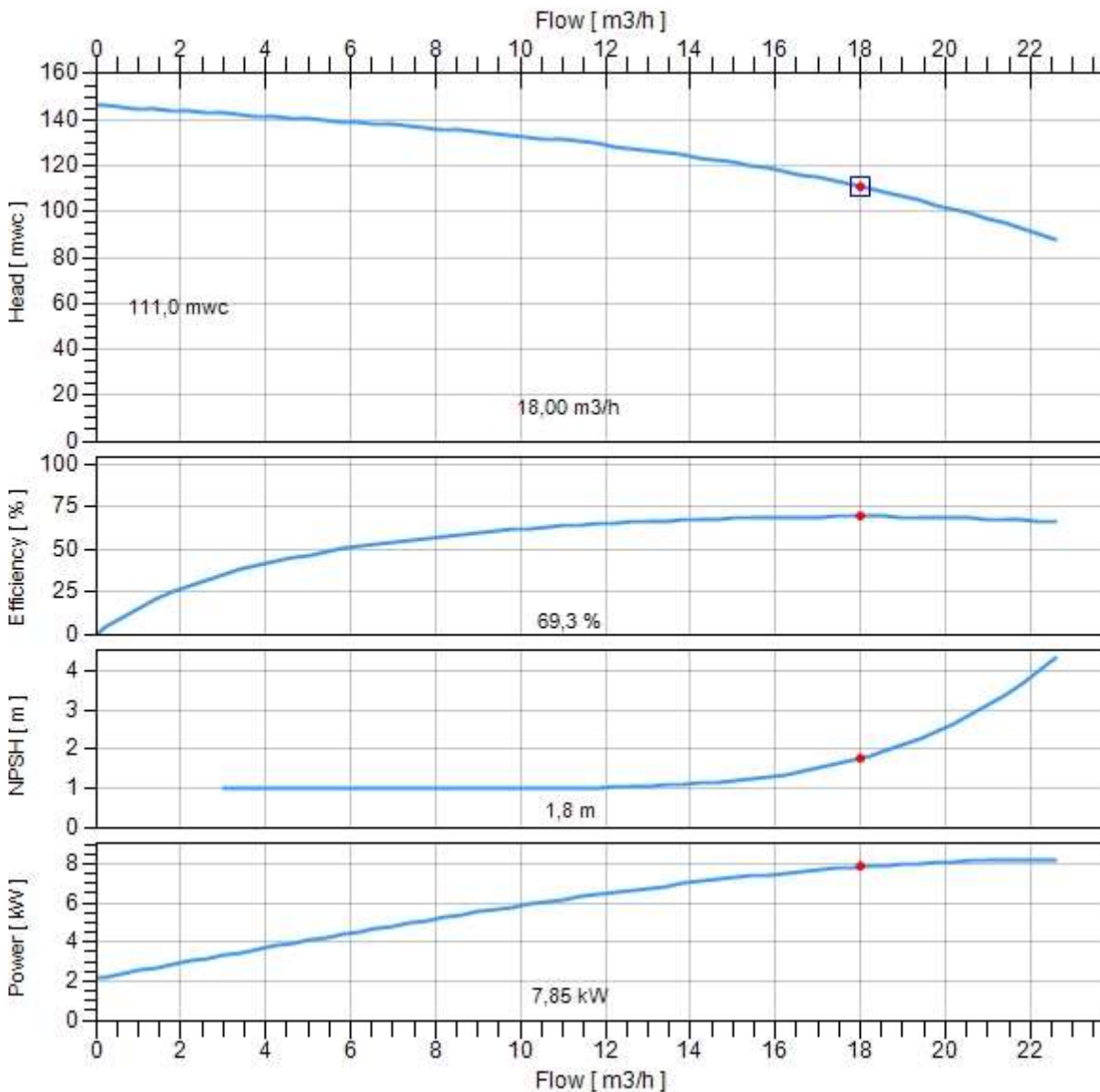
Search criteria

Medium to be pumped

Flow 18,00 m3/h
 Pressure 111,0 mwc

Actual duty point

Flow 18,00 m3/h
 Pressure 111,0 mwc
 Efficiency 69,3 %
 NPSH 1,8 m
 Power 7,85 kW
 Frequency 50,0Hz



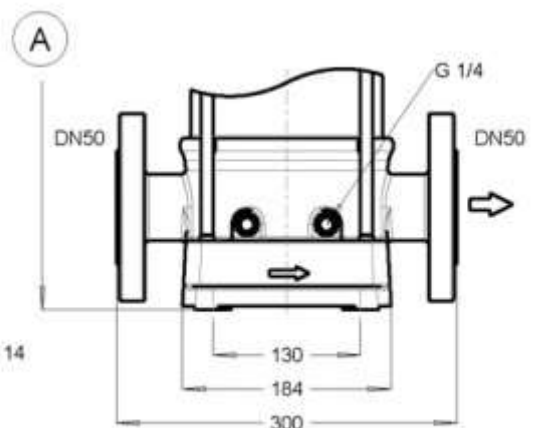
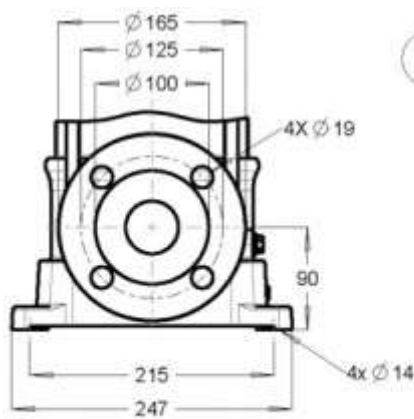
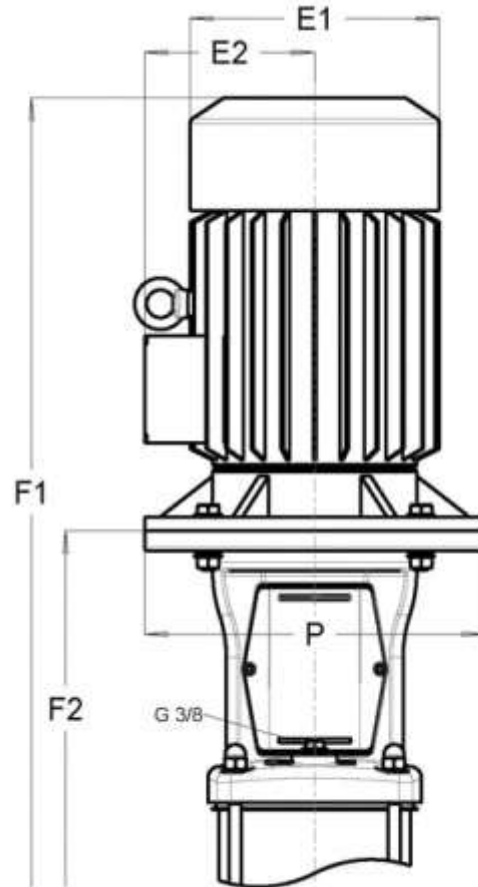
Duty point
 ● Actual
 □ Required

Dimensions sheet

Part number **290153351100V**

Description **DPVCF 15/10 B~Flanged NW50~11kW 400/690V~50Hz 2P~IEC 160M~IE3~Fixed SiC Ca EPDM**

Vertical centrifugal pump, suction and discharge connections in-line.



Motor width (E1)	340mm
Motor width (E2)	223mm
Total height (F1)	1230mm
Total height (F2)	697mm
Total net weight	187kg

Motor specifications

Part number **3710152110**

Description **Motor DMC 11kW 400/690V 2P IE3 160M IP55 3xPTC Pos. 801**

Electric Data

Rated power output	11kW
Maximum power output	15,2kW
Rated voltage	400/690V
Phases	3ph
Frequency	50/60Hz
Voltage range	360-440/621-759V
Motor poles	2P
ATEX class	
Duty class	S1
Insulation class	F (rise-B)
Moment of inertia	0,048kgm ²
Motor standard	IEC
Capacitor	
Motor efficiency	91,2%/91,0%
Motor efficiency class	IE3

50Hz

Tolerance rated voltage	±10%
Rated speed	2945rpm
Starting current factor (Ia/In)	7.3
Rated current (In)	19,3/11,2A
Maximum current (Imax)	27,0/15,6A
Rated Cos phi	0.9
Sound pressure	69dB(A)(A)
Rated nominal torque	35,7Nm
Rated starting torque	78,5Nm

60Hz

Tolerance rated voltage	-10% / +25%
Rated speed	3530rpm
Starting current factor (Ia/In)	6.3
Rated current (In)	19,0/11,0A
Maximum current (Imax)	27,0/15,6A
Rated Cos phi	0.92
Sound pressure	73dB(A)(A)
Rated nominal torque	29,8Nm
Rated starting torque	44,7Nm

Motor protection

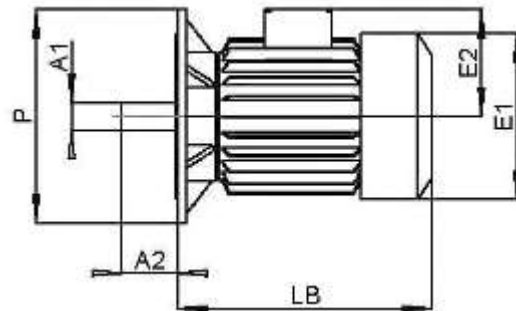
Motor protection class	IP55
Temperature sensor	3xPTC
Rain cover	
Anti condensation heater	

Mechanical data

Shaft execution	smooth shaft
Maximum starts per hour	15
Cable gland	2xM32x1,5
VFD allowance	VFD allowed max. 400V

Dimensions

Diameter shaft A1	42mm
Length shaft A2	110mm
Diameter motor E1	340mm
Terminal box height E2	223mm
Diameter flange P	350mm
L. motor (without shaft) LB	533mm
Frame size	160M
Motor construction type	IM V1
Motor face	IEC 60034-7 Form FF 300



Bearings / lubrication

Grease nipple	M8x1
Bearing fixation pos	D-end
D-end bearing type	7309
Bearing grease	Lithium based -20°/+160

Details

Motor label	DMC
Weight	104kg
Lifting lugs	2xM12
Motor finish	RAL5002
Rated max. amb. temp.	40°C
Material housing	Cast Iron JL1040