

Technical specifications sheet

Part number **290022251140C**

Description **DPV 2/14 B~Oval G 1~1,1kW 230/400V~50Hz 2P~IEC 80C~IE2~Fixed SiC Ca EPDM**

Vertical centrifugal pump, suction and discharge connections in-line.

Quotation details

Quotation number

Project

Position

Search criteria

Medium to be pumped
 Flow 1,90 m³/h
 Pressure 87,5 mwc

Hydraulic efficiency

Minimum efficiency index according: MEI ≥ 0.70
 Commission Regulation (EU) No 547/2012

Actual duty point

Flow 1,9 m³/h
 Pressure 87,5 mwc
 NPSH 1,6 m
 Efficiency 53,6 %
 Motor power 0,85 kW
 Frequency 50,0Hz

Connection base

Connection type Oval
 DIN connection standard DIN-ISO 228-1
 ASME connection standard
 JIS connection standard
 DIN connection size G 1
 ASME connection size
 JIS connection size
 DIN connection pressure class PN16
 ASME connection pressure class
 JIS connection pressure class
 Material S/D casing AISI304
 Material flanges Cast Iron JL1040
 Material baseplate Cast Iron JS1030

Seal data

Shaft diameter ø 12mm
 Seal diameter ø 12mm
 Construction shaft seal Fixed
 Seal code 23
 Shaft seal type RMG12-G606
 Material mechanical seal Q1 B E GG
 Material shaft seal rotor SiC
 Material shaft seal stator Ca
 Material shaft seal elastomer EPDM
 Material pump elastomer EPDM
 Material seal cover
 Pressure class shaft seal PN25
 Temperature range shaft seal -20/+100°C

Basic hydraulic data

Maximum working pressure PN40+120°C
 Maximum liquid temperature 140°C+PN16
 Minimum liquid temperature -20°C
 Material hydraulic AISI304

Plug

Air relieve construction Vent. plug
 Material plug AISI304

For details contact

DP Pumps
 PO Box 28
 2400AA Alphen a/d Rijn
 The Netherlands

NL



Hydraulic performance sheet

Part number **290022251140C**

Description **DPV 2/14 B-Oval G 1~1,1kW 230/400V~50Hz 2P~IEC 80C~IE2~Fixed SiC Ca EPDM**

Vertical centrifugal pump, suction and discharge connections in-line.

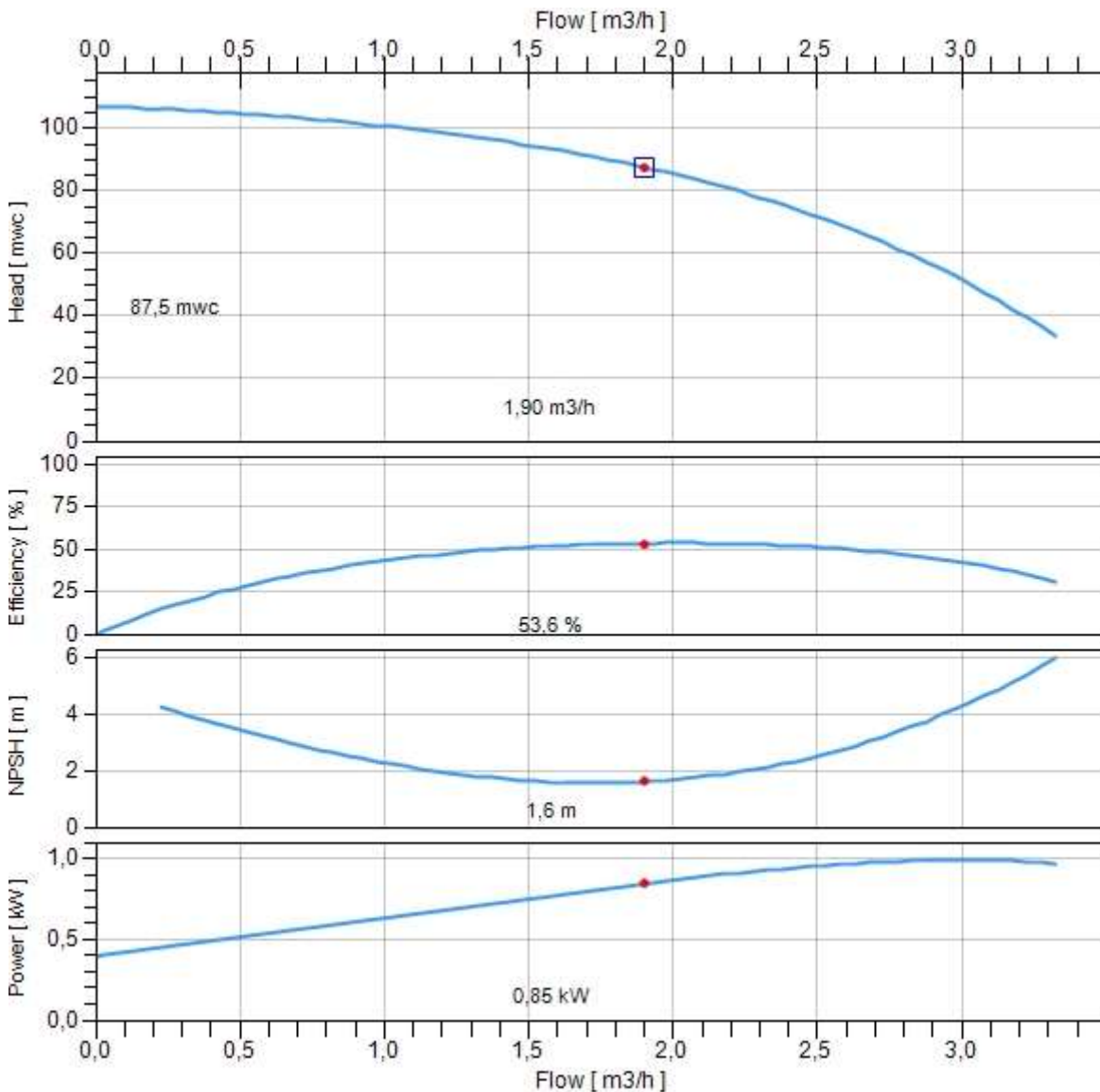
Search criteria

Medium to be pumped

Flow 1,90 m3/h
 Pressure 87,5 mwc

Actual duty point

Flow 1,90 m3/h
 Pressure 87,5 mwc
 Efficiency 53,6 %
 NPSH 1,6 m
 Power 0,85 kW
 Frequency 50,0Hz



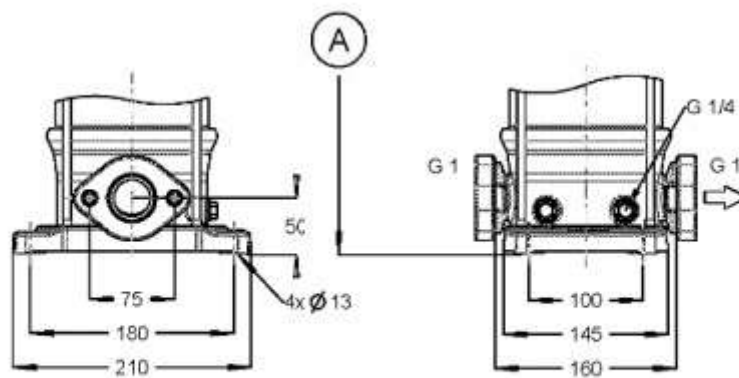
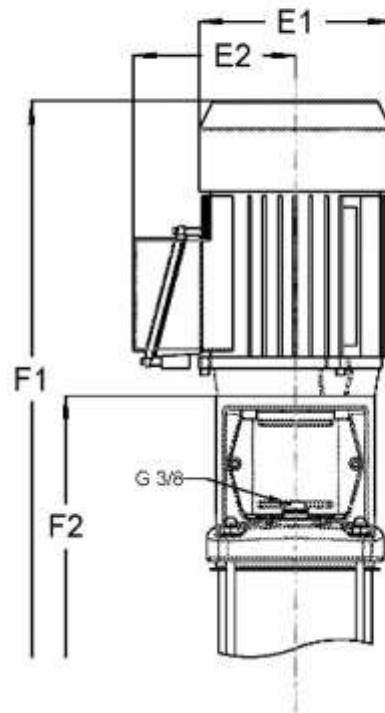
Duty point
 ● Actual
 □ Required

Dimensions sheet

Part number **290022251140C**

Description **DPV 2/14 B~Oval G 1~1,1kW 230/400V~50Hz 2P~IEC 80C~IE2~Fixed SiC Ca EPDM**

Vertical centrifugal pump, suction and discharge connections in-line.



Motor width (E1)	150mm
Motor width (E2)	115mm
Total height (F1)	791mm
Total height (F2)	527mm
Total net weight	29kg

Motor specifications

Part number **3710011011**

Description **Motor DMC 1,1kW 230/400V 2P IE2 80C IP55 Pos. 800**

Electric Data

Rated power output	1,1kW
Maximum power output	1,45kW
Rated voltage	230/400V
Phases	3ph
Frequency	50/60Hz
Voltage range	207-253/360-440V
Motor poles	2P
ATEX class	
Duty class	S1
Insulation class	F (rise-B)
Moment of inertia	0,0014kgm ²
Motor standard	IEC
Capacitor	
Motor efficiency	82,5/82,5%
Motor efficiency class	IE2

50Hz

Tolerance rated voltage	±10%
Rated speed	2870rpm
Starting current factor (Ia/In)	6.8
Rated current (In)	4,2/2,4A
Maximum current (Imax)	5,4/3,1A
Rated Cos phi	0.81
Sound pressure	60dB(A)
Rated nominal torque	5Nm
Rated starting torque	19Nm

60Hz

Tolerance rated voltage	+20%, -10%
Rated speed	3440rpm
Starting current factor (Ia/In)	6.8
Rated current (In)	4,2/2,4A
Maximum current (Imax)	5,4/3,1A
Rated Cos phi	0.81
Sound pressure	60dB(A)
Rated nominal torque	4,1Nm
Rated starting torque	15,2Nm

Motor protection

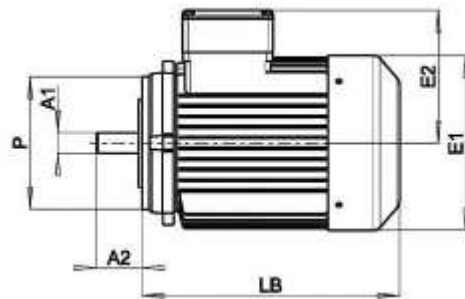
Motor protection class	IP55
Temperature sensor	
Rain cover	
Anti condensation heater	

Mechanical data

Shaft execution	smooth shaft
Maximum starts per hour	50
Cable gland	1xM20x1,5
VFD allowance	VFD allowed

Dimensions

Diameter shaft A1	19mm
Length shaft A2	40mm
Diameter motor E1	150mm
Terminal box height E2	115mm
Diameter flange P	120mm
L. motor (without shaft) LB	264mm
Frame size	80C
Motor construction type	IM V18
Motor face	IEC 60034-7 Form FT 100



Bearings / lubrication

Grease nipple	
Bearing fixation pos	D-end
D-end bearing type	6204-2RS-C3
Bearing grease	temp. -30°C/130°C

Details

Motor label	DMC
Weight	12kg
Lifting lugs	
Motor finish	RAL5002
Rated max. amb. temp.	40°C
Material housing	Aluminium