

Technical specifications sheet

Part number **290043351110U**

Description **DPVCF 4/11 B-Flanged NW25~2,2kW 230/400V~50Hz 2P~IEC 90L~IE3~Fixed Ca SiC EPDM**

Vertical centrifugal pump, suction and discharge connections in-line.

Quotation details

Quotation number

Project

Position

Search criteria

Medium to be pumped

Flow 4,00 m³/h

Pressure 78,4 mwc

Actual duty point

Flow 4 m³/h

Pressure 78,4 mwc

NPSH 1,2 m

Efficiency 60,6 %

Motor power 1,41 kW

Frequency 50,0Hz

Hydraulic efficiency

Minimum efficiency index according: MEI ≥ 0.70

Commission Regulation (EU) No 547/2012

Connection base

Connection type Flanged

DIN connection standard EN 1092-2

ASME connection standard

JIS connection standard

DIN connection size NW25

ASME connection size

JIS connection size

DIN connection pressure class PN25/40

ASME connection pressure class

JIS connection pressure class

Material S/D casing Cast Iron JS1030

Material flanges Cast Iron JS1030

Material baseplate Cast Iron JS1030

Basic hydraulic data

Maximum working pressure PN40+120°C

Maximum liquid temperature 140°C+PN16

Minimum liquid temperature -20°C

Material hydraulic AISI304

Seal data

Shaft diameter ø 12mm

Seal diameter ø 12mm

Construction shaft seal Fixed

Seal code 11

Shaft seal type MG12-G60

Material mechanical seal B Q1 E GG

Material shaft seal rotor Ca

Material shaft seal stator SiC

Material shaft seal elastomer EPDM

Material pump elastomer EPDM

Material seal cover

Pressure class shaft seal PN10

Temperature range shaft seal -20/+100°C

Plug

Air relieve construction Vent. plug

Material plug AISI304

For details contact

DP Pumps
PO Box 28
2400AA Alphen a/d Rijn
The Netherlands

NL



Hydraulic performance sheet

Part number **290043351110U**

Description **DPVCF 4/11 B-Flanged NW25~2,2kW 230/400V~50Hz 2P~IEC 90L~IE3~Fixed Ca SiC EPDM**

Vertical centrifugal pump, suction and discharge connections in-line.

Search criteria

Medium to be pumped

Flow 4,00 m3/h

Pressure 78,4 mwc

Actual duty point

Flow 4,00 m3/h

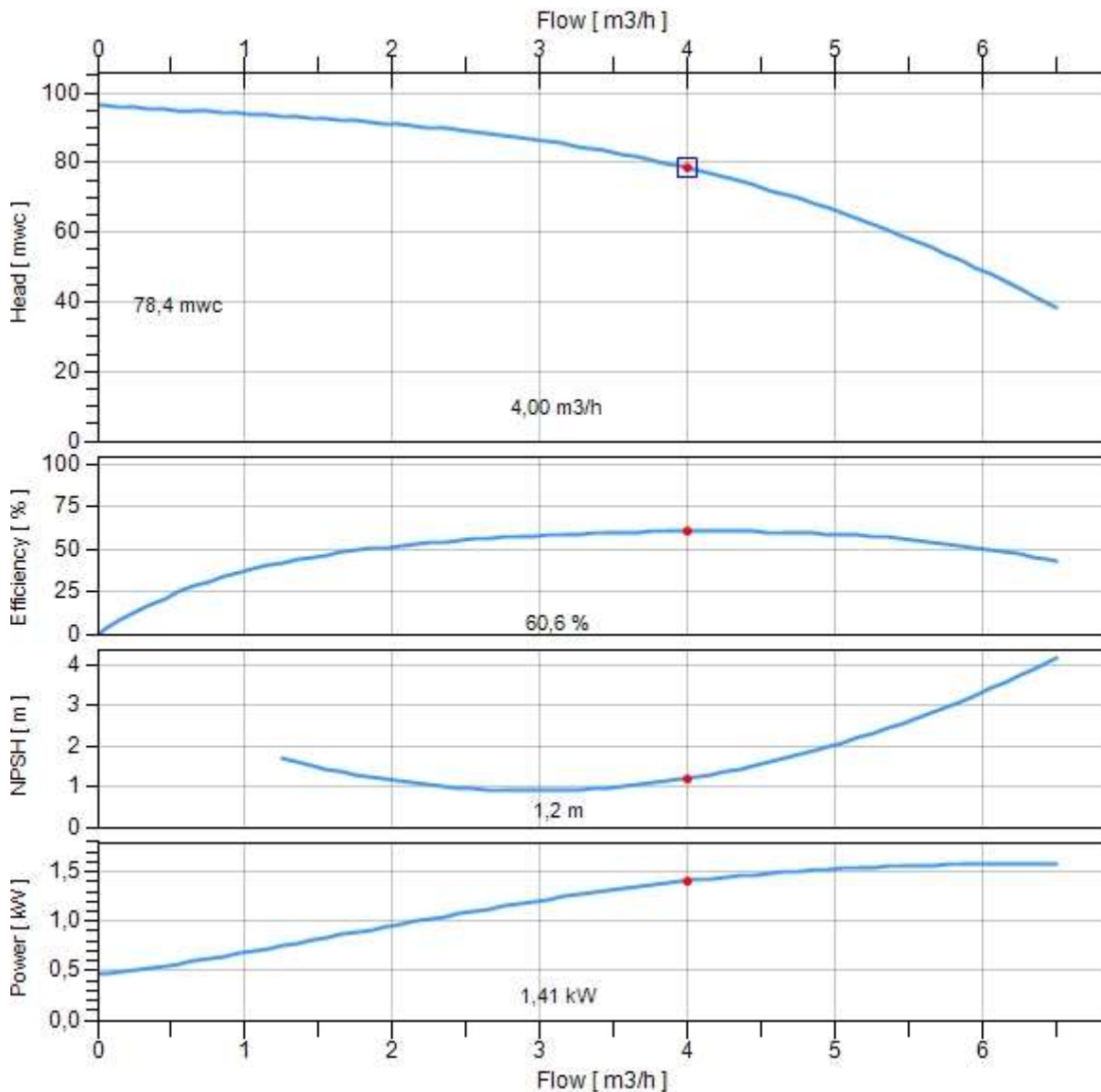
Pressure 78,4 mwc

Efficiency 60,6 %

NPSH 1,2 m

Power 1,41 kW

Frequency 50,0Hz



Duty point

- Actual
- Required

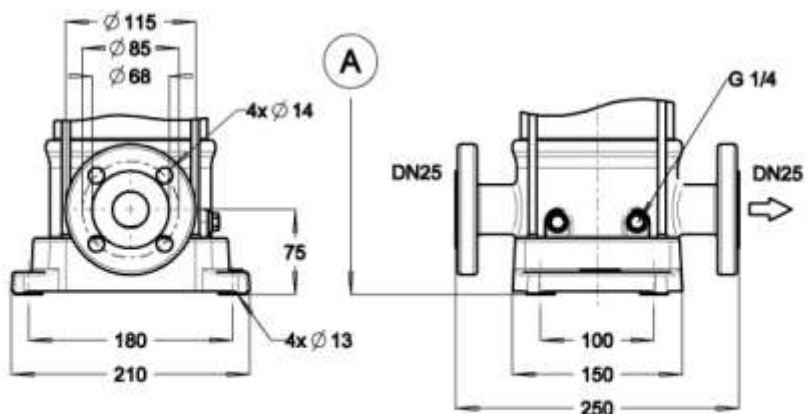
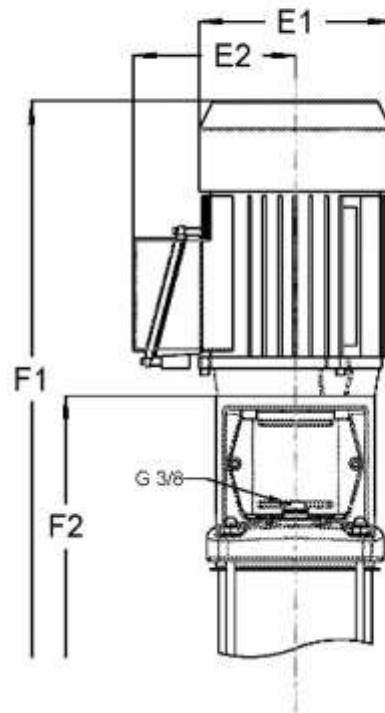
Dimensions sheet



Part number **290043351110U**

Description **DPVCF 4/11 B-Flanged NW25~2,2kW 230/400V~50Hz 2P~IEC 90L~IE3~Fixed Ca SiC EPDM**

Vertical centrifugal pump, suction and discharge connections in-line.



Motor width (E1)	185mm
Motor width (E2)	139mm
Total height (F1)	803mm
Total height (F2)	497mm
Total net weight	39kg

Motor specifications

Part number **3710051022**

Description **Motor DMC 2,2kW 230/400V 2P IE3 90L IP55 Pos. 800**

Electric Data

Rated power output	2,2kW
Maximum power output	3,4kW
Rated voltage	230/400V
Phases	3ph
Frequency	50/60Hz
Voltage range	207-253/360-440V
Motor poles	2P
ATEX class	
Duty class	S1
Insulation class	F (rise-B)
Moment of inertia	0,0019kgm ²
Motor standard	IEC
Capacitor	
Motor efficiency	85,9%/86,5%
Motor efficiency class	IE3

50Hz

Tolerance rated voltage	±10%
Rated speed	2900rpm
Starting current factor (Ia/In)	8.8
Rated current (In)	8/4,6A
Maximum current (Imax)	10,7/6,2A
Rated Cos phi	0.8
Sound pressure	55dB(A)(A)
Rated nominal torque	7,3Nm
Rated starting torque	29,2Nm

60Hz

Tolerance rated voltage	-10% / +25%
Rated speed	3480rpm
Starting current factor (Ia/In)	8.6
Rated current (In)	7,1/4,1A
Maximum current (Imax)	10,7/6,2A
Rated Cos phi	0.9
Sound pressure	58dB(A)(A)
Rated nominal torque	6,0Nm
Rated starting torque	22,2Nm

Motor protection

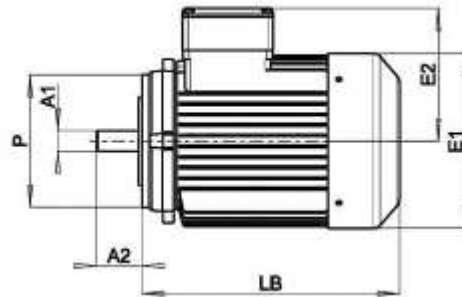
Motor protection class	IP55
Temperature sensor	
Rain cover	
Anti condensation heater	

Mechanical data

Shaft execution	smooth shaft
Maximum starts per hour	30
Cable gland	1xM20x1,5
VFD allowance	VFD allowed max. 400V

Dimensions

Diameter shaft A1	24mm
Length shaft A2	50mm
Diameter motor E1	185mm
Terminal box height E2	139mm
Diameter flange P	140mm
L. motor (without shaft) LB	306mm
Frame size	90L
Motor construction type	IM V18
Motor face	IEC 60034-7 Form FT 115



Bearings / lubrication

Grease nipple	
Bearing fixation pos	D-end
D-end bearing type	6305-2Z-C3
Bearing grease	Lithium based -20°/+160

Details

Motor label	DMC
Weight	20kg
Lifting lugs	
Motor finish	RAL5002
Rated max. amb. temp.	40°C
Material housing	Aluminium